



MIDY
Small Pump Great Performances

 **МАШГИДРОПРОМ**
НАУЧНО-ПРОИЗВОДСТВЕННОЕ ОБЪЕДИНЕНИЕ

rovatti pompe

T0-50

Small pump, great performances

The compact execution, the low weight and the easy handling are able to ensure that these smart pumps are the perfect equipment for irrigation and general liquid transfer



Tractor connection with cardan shaft and trolley

ONE OPERATOR

Pump attaches quickly, tractor does the lifting and handling



HIGH PRESSURE

Up to 50 m head with great flow range up to 30 m³/h



STURDY CONSTRUCTION

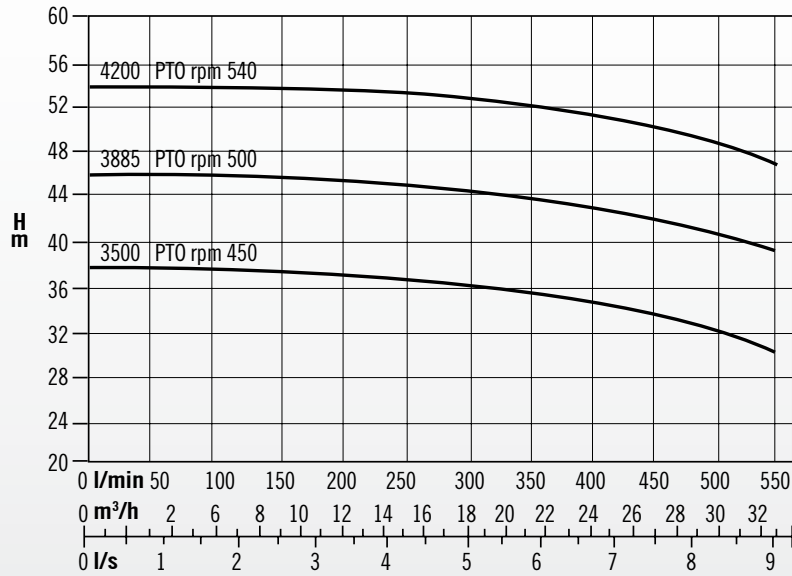
Light and robust cast iron pump for trouble-free operation





Extreme application versatility

All these pumps are quick and easy-to-fit to any type of tractor so to successfully satisfy multiple functional requirements



TRACTOR POWER MIN. [HP]	INLET X OUTLET	GEAR RATIO	PTO rpm	CAPACITY								
				l/min	100	200	300	350	400	450	500	550
				l/s	1,6	3,3	5	5,8	6,6	7,5	8,3	9,1
15	2" X 2"	1 : 7,77	540	H(m)	53,5	53,2	52,5	52	51,2	50,5	48,7	47
				HP	4,6	5,7	6,7	7,2	7,8	8,3	8,7	9,2
10			500	H(m)	46	45,5	44,5	44	43	42	41	39,8
				HP	3,7	4,7	5,6	6	6,4	6,8	7,1	7,4
7,5			450	H(m)	37,2	36,7	36	35,2	34,4	33,5	32,3	30,6
				HP	2,8	3,6	4,3	4,6	4,9	5,2	5,5	5,8

Max. solids contents	40 g/m³	Max. water temperature	60°C	Max. running time with Q=0	1 min
----------------------	---------	------------------------	------	----------------------------	-------

TOF-50

Ready to pump
in a few seconds

The quick installation granted by the direct coupling to tractor PTO permits a fast operationality to face any urgent pumping need



Direct tractor connection
with anchor bar (included)

ONE OPERATOR

Pump attaches quickly, tractor does the lifting and handling



HIGH PRESSURE

Up to 50 m head with great flow range up to 30 m³/h



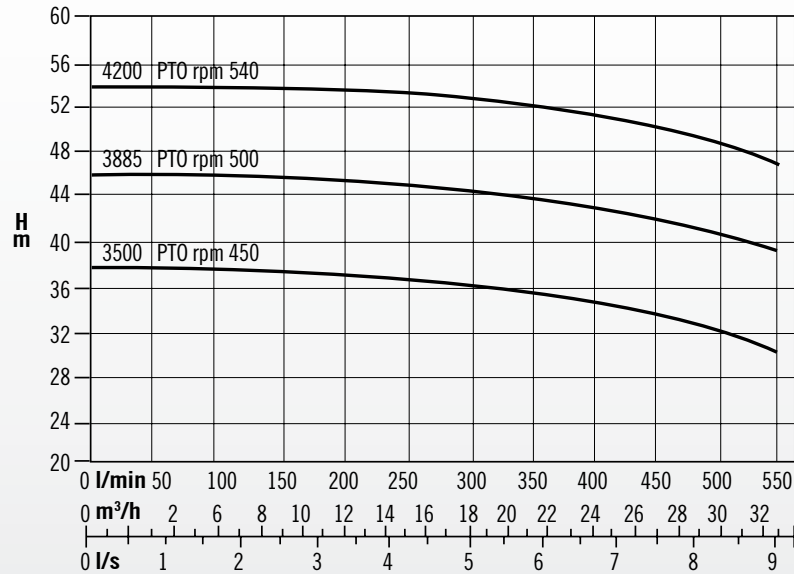
EASY CONNECTION

TOF-50 attaches directly to tractor PTO, no cardan shaft or trolley needed



Maximum rapidity of intervention

Pumps in this range represent the perfect solution to intervene on-site with extreme rapidity and efficiency where specific conditions do not permit the use of a complete pumping unit/system



TRACTOR POWER MIN. [HP]	INLET X OUTLET	GEAR RATIO	PTO rpm	CAPACITY								
				l/min	100	200	300	350	400	450	500	550
				l/s	1,6	3,3	5	5,8	6,6	7,5	8,3	9,1
15	2" X 2"	1 : 7,77	540	H(m)	53,5	53,2	52,5	52	51,2	50,5	48,7	47
				HP	4,6	5,7	6,7	7,2	7,8	8,3	8,7	9,2
10			500	H(m)	46	45,5	44,5	44	43	42	41	39,8
				HP	3,7	4,7	5,6	6	6,4	6,8	7,1	7,4
7,5			450	H(m)	37,2	36,7	36	35,2	34,4	33,5	32,3	30,6
				HP	2,8	3,6	4,3	4,6	4,9	5,2	5,5	5,8

Max. solids contents	40 g/m³	Max. water temperature	60°C	Max. running time with Q=0	1 min
----------------------	---------	------------------------	------	----------------------------	-------

T0-50A

The perfect equipment for filling and emptying water tanks

The compact and solid construction of these pumps grant a user-friendly and efficient operability in every application requiring filling or emptying water tanks



ONE OPERATOR

Pump attaches quickly, tractor does the lifting and handling



QUICK PRIMING

Self-priming pump ready to be operative on the field in a few seconds



LARGE PASSAGE

Open impeller can handle trash with solids up to 10 mm

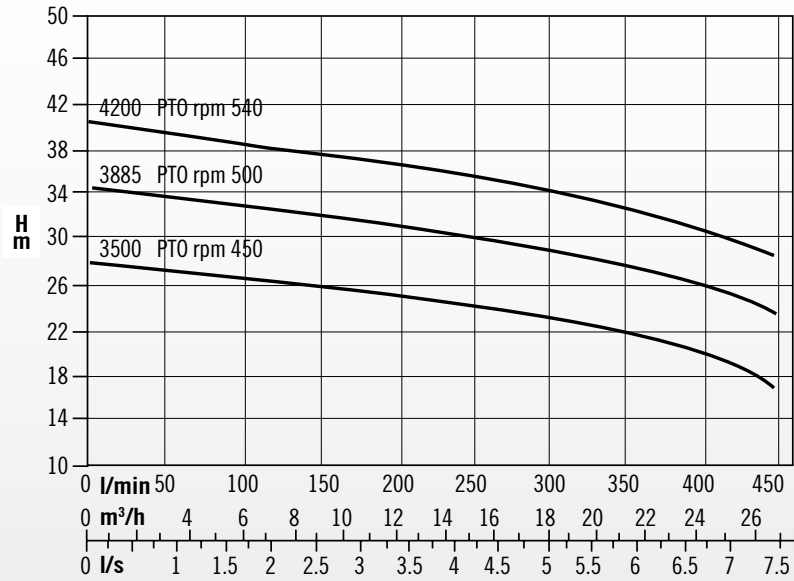


Tractor connection with cardan shaft and trolley



Versatile solution for many types of liquids

The unshrouded impeller permits to increase the resistance to the impurities contained in the fluid to be transferred during the pumping phase



TRACTOR POWER MIN. [HP]	INLET X OUTLET	GEAR RATIO	PTO rpm	CAPACITY						
				l/min	100	200	300	350	400	450
				l/s	1,6	3,3	5	5,8	6,6	7,5
7,5	2" X 2"	1 : 7,77	540	H(m)	38,5	36,5	34,5	33,3	31,3	29
				HP	3,6	4,1	4,65	4,95	5,3	5,6
7,5			500	H(m)	32,8	31	29,3	27,8	26	23,3
				HP	2,9	3,3	3,8	4,1	4,4	4,6
5			450	H(m)	26,5	25	23	22	20,2	17
				HP	2,15	2,2	2,9	3,15	3,4	3,6

Max. solids contents	40 g/m³	Max. water temperature	60°C	Max. running time with Q=0	1 min
----------------------	---------	------------------------	------	----------------------------	-------

TOF-50A

The ideal solution for liquid transfer

The constructive design and the simplicity of the direct coupling to tractor PTO, make these pumps an excellent tool for any liquid transfer need, even in the most critical situations



Direct tractor connection
with anchor bar (included)

ONE OPERATOR

Pump attaches quickly, tractor does the lifting and handling



QUICK PRIMING

Self-priming pump ready to be operative on the field in a few seconds



EASY CONNECTION

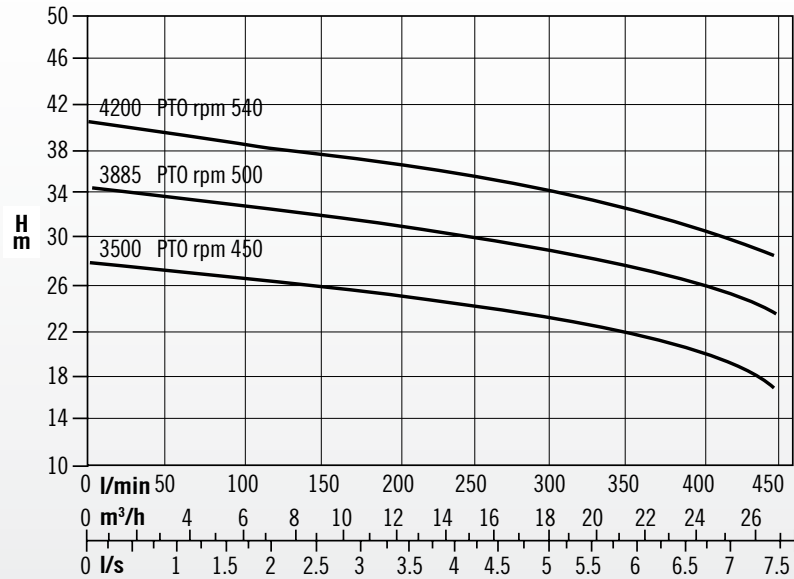
TOF-50 attaches directly to tractor PTO, no cardan shaft or trolley needed





Safety and reliability at your fingertips

Pumps of this series grant a safe and reliable functioning in any circumstance, even the heaviest and urgent, requiring in general liquid transfer



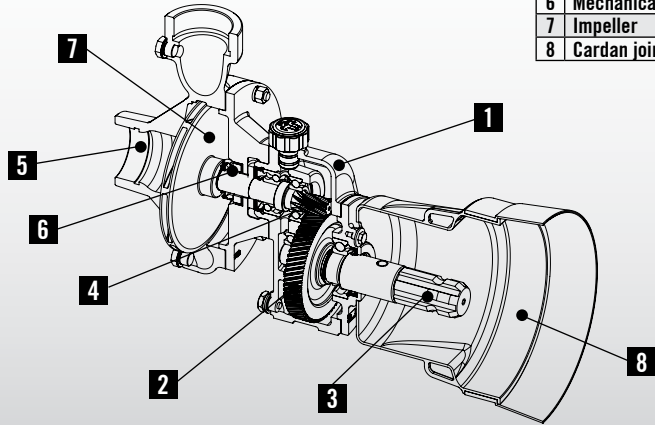
TRACTOR POWER MIN. [HP]	INLET X OUTLET	GEAR RATIO	PTO rpm	CAPACITY						
				l/min	100	200	300	350	400	450
				l/s	1,6	3,3	5	5,8	6,6	7,5
7,5	2" X 2"	1 : 7,77	540	H(m)	38,5	36,5	34,5	33,3	31,3	29
				HP	3,6	4,1	4,65	4,95	5,3	5,6
7,5			500	H(m)	32,8	31	29,3	27,8	26	23,3
				HP	2,9	3,3	3,8	4,1	4,4	4,6
5			450	H(m)	26,5	25	23	22	20,2	17
				HP	2,15	2,2	2,9	3,15	3,4	3,6

Max. solids contents	40 g/m³	Max. water temperature	60°C	Max. running time with Q=0	1 min
----------------------	---------	------------------------	------	----------------------------	-------

List of parts and materials

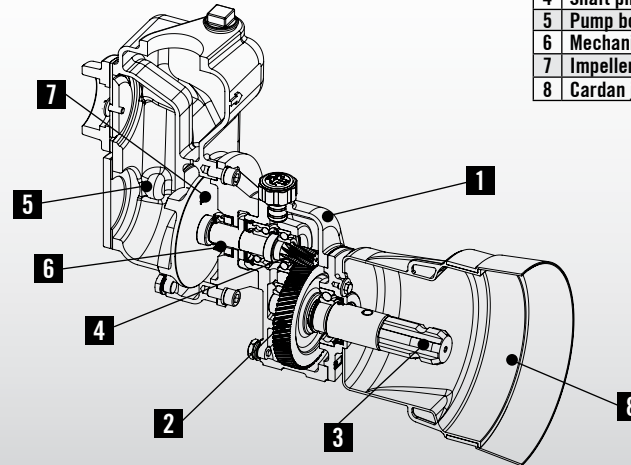
T0-50

1	Gear box	Cast iron
2	PTO transmission gear	Case hardened steel
3	PTO shaft	Case hardened steel
4	Shaft pinion	Case hardened steel
5	Pump body	Cast iron
6	Mechanical seal	Graphite / Ceramic
7	Impeller	Cast iron
8	Cardan joint guard	Rubber



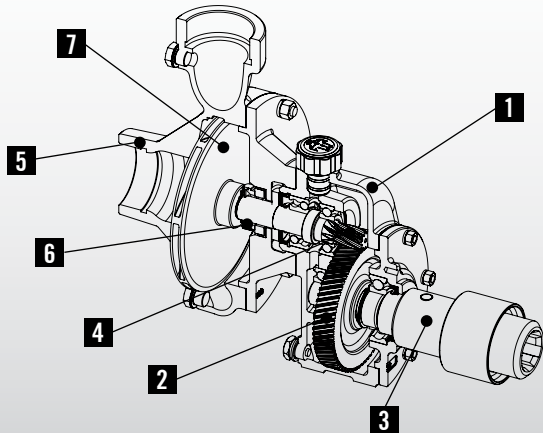
T0-50A

1	Gear box	Cast iron
2	PTO transmission gear	Case hardened steel
3	PTO shaft	Case hardened steel
4	Shaft pinion	Case hardened steel
5	Pump body	Cast iron
6	Mechanical seal	Graphite / Ceramic
7	Impeller	Cast iron
8	Cardan joint guard	Rubber



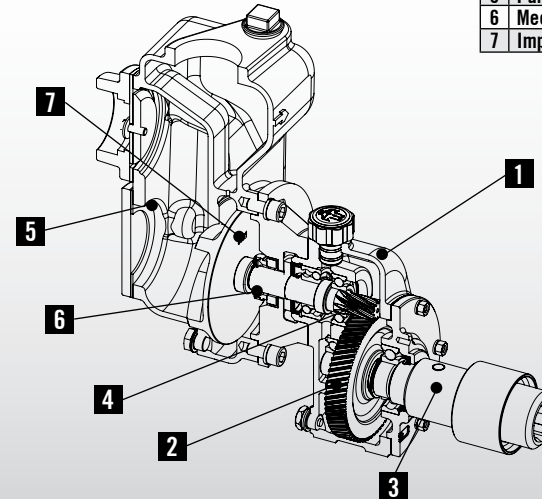
TOF-50

1	Gear box	Cast iron
2	PTO transmission gear	Case hardened steel
3	PTO shaft	Case hardened steel
4	Shaft pinion	Case hardened steel
5	Pump body	Cast iron
6	Mechanical seal	Graphite / Ceramic
7	Impeller	Cast iron



TOF-50A

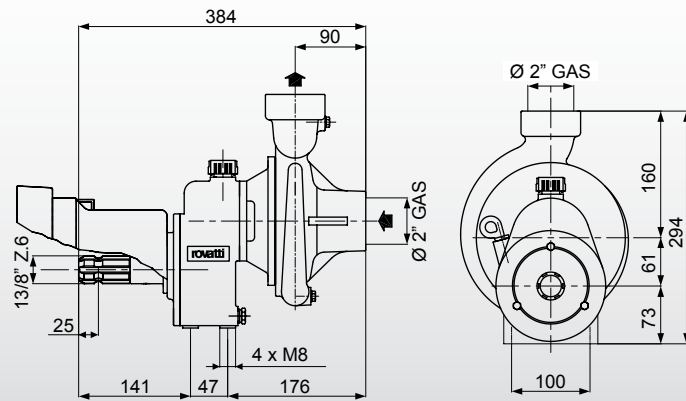
1	Gear box	Cast iron
2	PTO transmission gear	Case hardened steel
3	PTO shaft	Case hardened steel
4	Shaft pinion	Case hardened steel
5	Pump body	Cast iron
6	Mechanical seal	Graphite / Ceramic
7	Impeller	Cast iron



Overall dimensions and weights

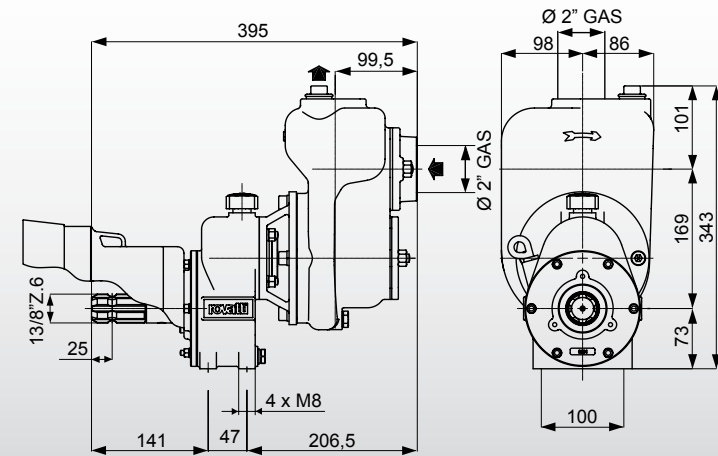
T0-50

20 kg



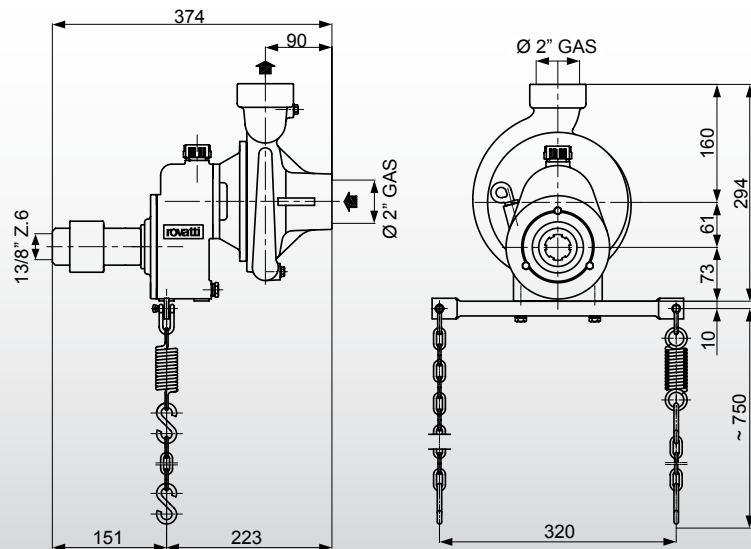
T0-50A

21 kg



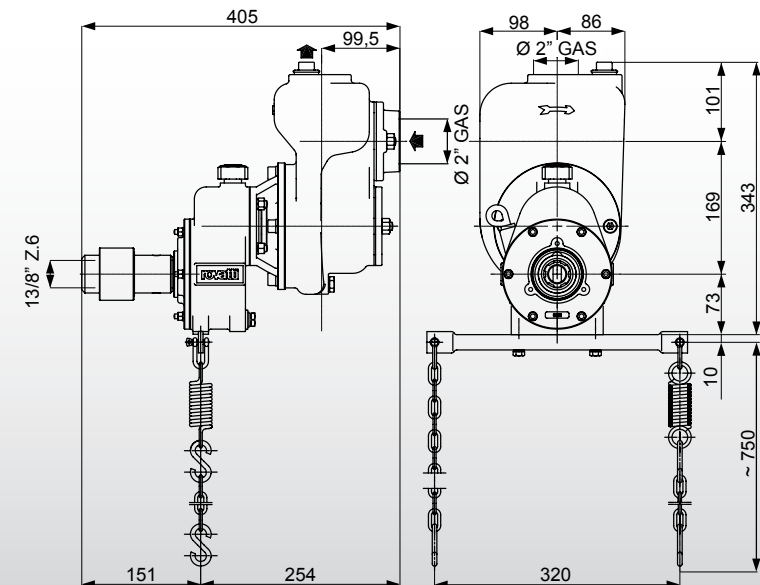
TOF-50

20 kg



TOF-50A

21 kg





Small Pump **Great Performances**



МАШГИДРОПРОМ
НАУЧНО-ПРОИЗВОДСТВЕННОЕ ОБЪЕДИНЕНИЕ

Екатеринбург, ул. Переулок Красный 7 офис 203
сайт: www.mhprom.ru, e-mail: sale@mhprom.ru,
тел.: +7 (343) 207-42-80, +8-800-555-73-41

rovatti pompe



BMIDYENG17RO

HEADQUARTERS:
42042 FABBRICO (REGGIO EMILIA) - ITALY
Tel +39 0522 66 50 00
Fax +39 0522 66 50 20
info@rovatti.it
www.rovatti.it

2000 DIVISION:
42047 ROLO (REGGIO EMILIA) - ITALY
Tel +39 0522 66 72 17 / 0522 66 72 25
Fax +39 0522 66 09 79
info@rovatti.it
www.rovatti.it

IPERSOM DIVISION:
42042 FABBRICO (REGGIO EMILIA) - ITALY
Tel +39 0522 66 08 15
Fax +39 0522 66 02 70
info@rovatti.it
www.rovatti.it

All In One Box



The compact and portable user friendly tractor driven Midy Pumps are **supplied in a handy storage cardboard box**. Upon request, in just one package you can find the **compact pump together with useful plastic suction-delivery fittings and valve**.

