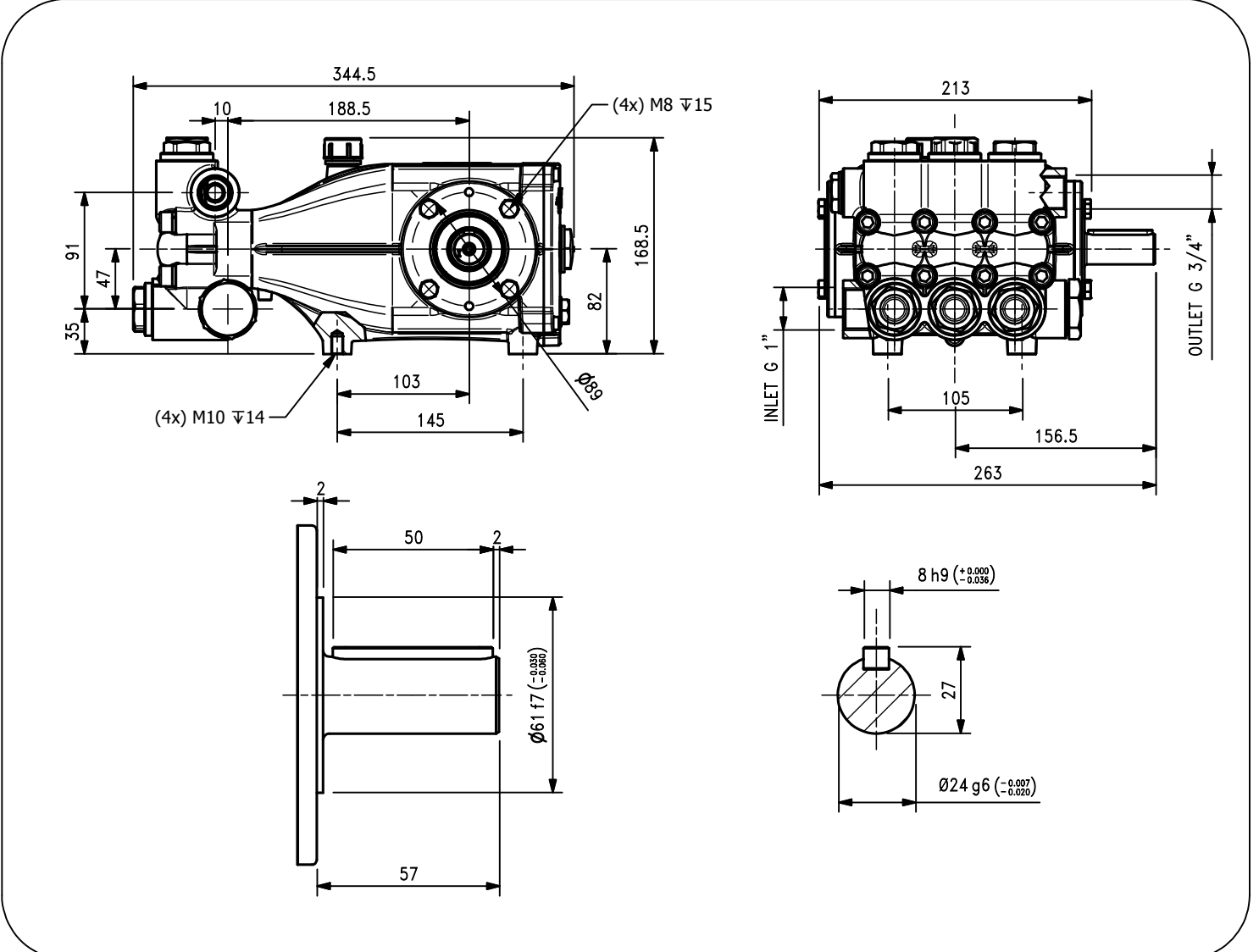
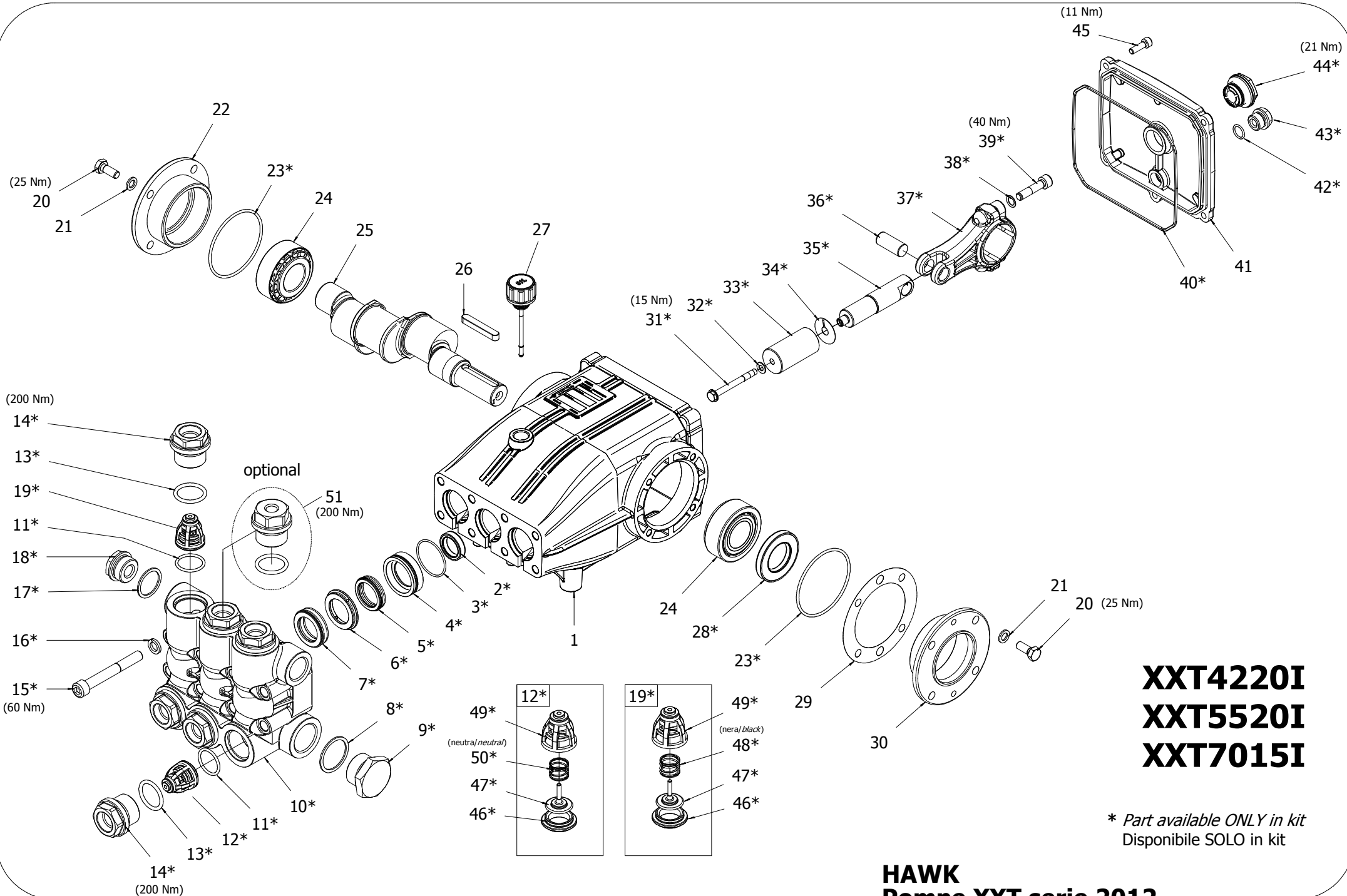


Pump Pompa	Pressure Pressione		Volume Portata				RPM giri/min		Power Potenza			
			l/min		GPM				HP		kW	
	bar	PSI	50 Hz	60 Hz	50 Hz	60 Hz	50 Hz	60 Hz	50 Hz	60 Hz	50 Hz	60 Hz
XXT4220I	200	2900	42,6	51,1	11,3	13,6	1450	1740	21,9	26,3	16,1	19,3
XXT5520I	200	2900	55,1	66,1	14,6	17,5	1450	1740	28,8	34,6	21,2	25,4
XXT7015I	150	2175	70,0	84,0	18,5	22,2	1450	1740	27,1	32,5	20,0	24,0

**Dimensioni d'ingombro**
**Overall dimensions**




**XXT4220I**  
**XXT5520I**  
**XXT7015I**

\* Part available *ONLY* in kit  
 Disponibile *SOLO* in kit

**HAWK**  
**Pompe XXT serie 2012**  
**XXT pumps 2012 series**

## XXT 2012 SERIES

### ORDINARY MAINTENANCE KIT / KIT MANUTENZIONE ORDINARIA

KIT	Item Pos.	Part Number Codice	Description	Descrizione	Q.TY by Pump Q.TA per Pompa	XXT7015I	XXT5520I	XXT4220I
A	3- 5- 7	1.099-769.0	PLUNGER SEALS DIA. 22 mm	GUARNIZIONI PISTONE Ø22	1			•
		1.099-770.0	PLUNGER SEALS DIA. 25 mm	GUARNIZIONI PISTONE Ø25		•		
		1.099-771.0	PLUNGER SEALS DIA. 28 mm	GUARNIZIONI PISTONE Ø28		•		
B	11- 12 (46-47- 50- 49)- 13- 19 (46-47-48-49)	1.905-594.0	COMPLETE VALVE	VALVOLA COMPLETA	1	•	•	•

### EXTRAORDINARY MAINTENANCE KIT / KIT MANUTENZIONE STRAORDINARIA

KIT	Item Pos.	Part Number Codice	Description	Descrizione	Q.TY by Pump Q.TA per Pompa	XXT7015I	XXT5520I	XXT4220I
C	3- 4- 5- 6- 7	1.905-699.0	COMPLETE SEALS PACKING DIA. 22 mm	PACCO COMPLETO GUARNIZIONI PISTONE Ø22	1			•
		1.905-700.0	COMPLETE SEALS PACKING DIA. 25 mm	PACCO COMPLETO GUARNIZIONI PISTONE Ø28		•		
		1.905-701.0	COMPLETE SEALS PACKING DIA. 25 mm	PACCO COMPLETO GUARNIZIONI PISTONE Ø28		•		
D	31- 32- 33- 34	1.099-776.0	PLUNGER DIA. 22 mm	PISTONE Ø22	3			•
		1.099-777.0	PLUNGER DIA. 25 mm	PISTONE Ø25		•		
		1.099-778.0	PLUNGER DIA. 28 mm	PISTONE Ø28		•		
E	2	1.099-766.0	PLUNGER OIL SEALS	ANELLI TENUTA OLIO ASTA	1	•	•	•
F	23- 28- 40- 42- 43- 44	1.905-613.0	KIT CRANKCASE SEALS	KIT TENUTE CARTER	1	•	•	•
G	3- 4- 5- 6- 7 8- 9- 10- 11 12 (46- 47- 50- 49)- 13- 14 15- 16- 17 18- 19 (46- 47-48-49)	1.099-789.0	COMPLETE MANIFOLD 22	TESTATA COMPLETA Ø22	1			•
		1.099-790.0	COMPLETE MANIFOLD 25	TESTATA COMPLETA Ø25		•		
		1.099-791.0	COMPLETE MANIFOLD 28	TESTATA COMPLETA Ø28		•		
H	31- 32- 35- 36- 37- 38- 39	1.904-182.0	CONNECTING ROD PLUNGER ROD ASSY	PREMONTATO ASTA-BIELLA PISTONE	3	•	•	•

KIT	Item Pos.	Part Number Codice	Description	Descrizione	Q.TY by Pump Q.TÀ per Pompa	XXT7015I	XXT5520I	XXT4220I
I	13- 14	1.904-326.0	VALVE PLUG ASSY	PREMONTATO TAPPO VAM	6	•	•	•

**“Q.TY by Pump” => Necessary quantity to repair one pump**  
**“Q.TA’ per Pompa” => Quantità necessaria per riparare una pompa**

### OPTIONAL

Item Pos.	Part Number Codice	Description	Descrizione	Q.TY by Pump Q.TÀ per Pompa	XXT7015I	XXT5520I	XXT4220I
51	9.853-430.0	THREADED BRASS PLUG G1/4	PREMONTATO TAPPO FORATO	1	•	•	•

### TOOL KIT

Part Number Codice	Description	Descrizione	Q.TY by Pump Q.TÀ per Pompa	XXT7015I	XXT5520I	XXT4220I
1.099-665.0	TOOL-KIT	TOOL-KIT	1	•	•	•
1.905-659.0	OIL SEAL EXTRACTOR TOOL-KIT	TOOL-KIT ESTR. PARAOLIO	1	•	•	•

### IMPORTANT

### IMPORTANTE

\* **Part available ONLY in kit**  
**Disponibile SOLO in kit**

(...) **Parts pre-assembled**  
**Parti pre-assemblate**

## PARTS LIST LISTA PARTI

Item Pos	Part Number Codice	Description	Descrizione	KIT	Q.TY Q.TÀ	XXT7015I	XXT5520I	XXT4220I
1	9.850-377.0	CRANKCASE	CARTER		1			
2*		PLUNGER OIL SEAL	ANELLO RADIALE	E	3	•	•	•
3*		"O" RING Ø1.78X37.82	"O" RING Ø1.78X37.82	A-C-G	3			
4*		PRESSURE RING 22MM	PRESSORE "U" Ø22	C-G	3			•
		PRESSURE RING 25MM	PRESSORE "U" Ø25			•		
		PRESSURE RING 28MM	PRESSORE "U" Ø28			•		
5*		LOW PRESSURE "U" SEAL, DIA.22MM	ANELLO TENUTA "U" Ø22	A-C-G	3			•
		LOW PRESSURE "U" SEAL, DIA.25MM	ANELLO TENUTA "U" Ø25			•		
		LOW PRESSURE "U" SEAL, DIA.28MM	ANELLO TENUTA "U" Ø28			•		
6*		INTERMED. RING 22MM	DIFFUSORE INTER. Ø22	C-G	3			•
		INTERMED. RING 25MM	DIFFUSORE INTER. Ø25			•		
		INTERMED. RING 28MM	DIFFUSORE INTER. Ø28			•		
7*		HIGH PRESSURE "U" SEAL, DIA.22MM	ANELLO TENUTA "U" Ø22	A-C-G	3			•
		HIGH PRESSURE "U" SEAL, DIA.25MM	ANELLO TENUTA "U" Ø25			•		
		HIGH PRESSURE "U" SEAL, DIA.28MM	ANELLO TENUTA "U" Ø28			•		
8*		COPPER WASHER G1"	GUARNIZIONE RAME G1"	G	1	•	•	•
9*		PLUG G1"	TAPPO G1"	G	1	•	•	•
10*		MANIFOLD HOUSING 28/25	TESTATA Ø28/25	G	1	•	•	
		MANIFOLD HOUSING 22/20	TESTATA Ø22/20					•
11*		"O" RING Ø2.62X25.07	"O" RING Ø2.62X25.07	B-G	6			
12*		INLET VALVE	VALVOLA ASPIRAZIONE	B-G	6			
13*		"O" RING Ø2.62X26.58	"O" RING Ø2.62X26.58	B-G-I	6			
14*		VALVE PLUG	TAPPO VALVOLA	G-I	6			
15*		MANIFOLD SCREW M10X80 GEOMET	VITE M10X80 GEOMET	G	8			
16*		WASHER Ø10.2	ROSETTA Ø10.2	G	16			
17*		COPPER WASHER G3/4	GUARNIZIONE RAME G3/4	G	1			
18*		PLUG G3/4	TAPPO G3/4	G-F	2			
19*		OUTLET VALVE	VALVOLA MANDATA	B-G	6			
20	9.851-503.0	HEXAGONAL SCREW M8X20	VITE M8X20		8	•	•	•
21	9.851-114.0	WASHER Ø 8,5	ROSETTA PIANA Ø8,5		8			
22	9.850-624.0	CLOSED BEARING HOUSING	FLANGIA CHIUSA		1			
23*		"O" RING Ø1.78X71.12	"O" RING Ø1.78X71.12	F	2			
24	9.850-348.0	ROLLER BEARING	CUSCINETTO A RULLI		2			
25	9.850-195.0	CRANKSHAFT Ø24	ALBERO ECCENTRICO Ø24		1			
26	9.850-447.0	CRANKSHAFT KEY	CHIAVETTA		1			
27	9.851-287.0	OIL DIP STICK	TAPPO LIVELLO OLIO		1			
28*		CRANKSHAFT SEAL	ANELLO RADIALE	F	1			
29	9.850-546.0	SHIM	DISTANZIALE		1			
30	9.850-597.0	BEARING HOUSING	FLANGIA		1			

Item Pos	Part Number Codice	Description	Descrizione	KIT	Q.TY Q.TÀ	XXT7015I	XXT5520I	XXT4220I
31*		PLUNGER SCEW	VITE PISTONE	D-H	3	•	•	•
32*		COPPER SPACER Ø 11.2/15X0.5	ROSETTA RAME Ø 1.2/15X0.5	D-H	3	•	•	•
33*		PLUNGER 22MM	PISTONE Ø22	D	3			•
		PLUNGER 25MM	PISTONE Ø25			•		
		PLUNGER 28MM	PISTONE Ø28			•		
34*		COPPER SPACER	ROSETTA RAME	D	3			
35*		PLUNGER ROD	ASTA PISTONE	H	3			
36*		CONNECTING ROD PIN	SPINOTTO	H	3			
37*		CONNECTING ROD	BIELLA	H	3			
38*		SPRING WASHER Ø6	ROSETTA ELASTICA Ø6	H	6			
39*		CONNECTING ROD SCREW M6X30	VITE M6X30	H	6			
40*		"O" RING Ø 2.62X152.07	"O" RING Ø 2.62X152.07	F	1			
41	9.850-389.0	CRANKCASE COVER	COPERCHIO POSTERIORE		1			
42*		"O" RING Ø1.78X14	"O" RING Ø1.78X14	F	1	•	•	•
43*		BRASS PLUG G3/8	TAPPO OTTONE G3/8		1			
44*		SIGHT GLASS, G3/4	SPIA LIVELLO OLIO G3/4	F	1			
45	9.851-474.0	SCREW M6X16	VITE M6X16		4			
46*		VALVE SEAT	SEDE VALVOLA	B-G	6			
47*		VALVE PLATE	PIATTELLO VALVOLA	B-G	6			
48*		VALVE SPRING	MOLLA VALVOLA	B-G	3			
49*		VALVE CAGE	GABBIA VALVOLA	B-G	6			
50*		VALVE SPRING	MOLLA VALVOLA	B-G	3			

LEUCO S.p.A.

XXT 2012

Rev. 7 01-18

6 di 6